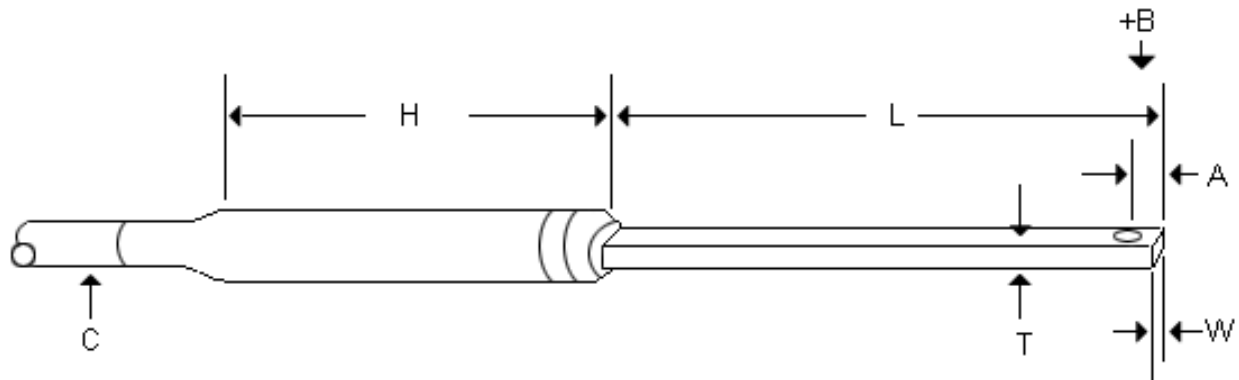


HALL PROBES FOR FH 54 AND FH 55

• Transverse Hall Probes for FH 54 and FH 55



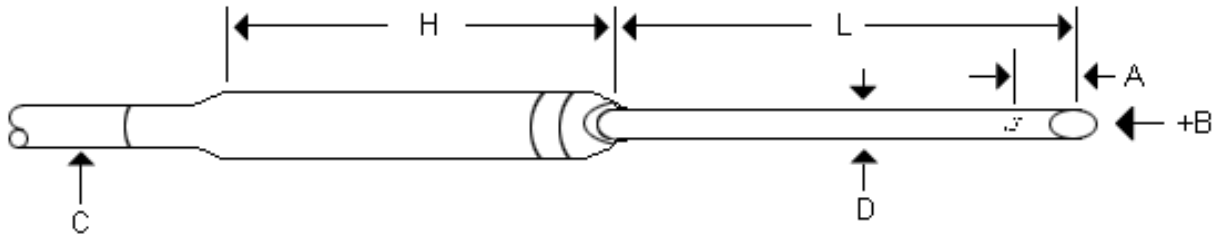
Transverse probes for FH 54 and FH 55

Model	HS-TGB5-104005	HS-TGB5-104010	HS-TGB5-104020
W	4.0 mm max.	4.0 mm max.	4.0 mm max.
T (max.)	1.0 mm	1.0 mm	1.0 mm
L (nom.)	55 mm	100 mm	200 mm
A	2 mm ± 0.1 mm	2 mm ± 0.1 mm	2 mm ± 0.1 mm
H (nom.)	70 mm	70 mm	70 mm
Cable length C	1.5 m	1.5 m	1.5 m
Stem material	Fiberglas epoxy		
Active area, nominal diameter	0.4 mm	0.4 mm	0.4 mm
Ranges, full scale	3 mT to 3 T		
Corrected accuracy [% of Reading, DC]	0.25 % to 3 T	0.25 % to 3 T	0.25 % to 3 T
Temperature coefficient of sensitivity (maximum)	± 0.02 %/°C (T)	± 0.02 %/°C (T)	± 0.02 %/°C (T)

(T): Probe with sensor for temperature correction.
Operating temperature range 0 °C to 75 °C.

Due to continuous product improvements, specifications are subject to change without notice.

• Axial Hall Probes for FH 54 and FH 55



Axial probes for FH 54 and FH 55

Model	HS-AGB5-4805	HS-AGB5-4820
D (nom.)	4.8 mm	4.8 mm
L (nom.)	55 mm	200 mm
A (nom.)	0.27 mm	0.27 mm
H (nom.)	70 mm	70 mm
Cable length C	1.5 m	1.5 m
Stem material	Fibreglas epoxy	
Active area, nominal diameter	0.4 mm	0.4 mm
Ranges, full scale	3 mT to 3 T	
Corrected accuracy [% of Reading, DC]	0.25 % to 3 T	0.25 % to 3 T
Temperature coefficient of sensitivity (maximum)	± 0.02 %/°C (T)	± 0.02 %/°C (T)

(T): Probe with sensor for temperature correction.
Operating temperature range 0 °C to 75 °C.

Due to continuous product improvements, specifications are subject to change without notice.

MAGNET-PHYSIK Dr. Steingroever GmbH

Emil-Hoffmann-Straße 3, D-50996 Köln
Phone: +49 / (0)2236 / 3919-0 • Fax: +49 / (0)2236 / 3919-19
e-mail: info@magnet-physik.de
Website: www.magnet-physik.de

MAGNET-PHYSICS Inc.

9001 Technology Drive Suite C-2, Fishers, IN 46038, USA
Phone: +1 317 577 8700 • Fax: +1 317 578 2510
e-mail: info@magnet-physics.com
Website: www.magnet-physics.com